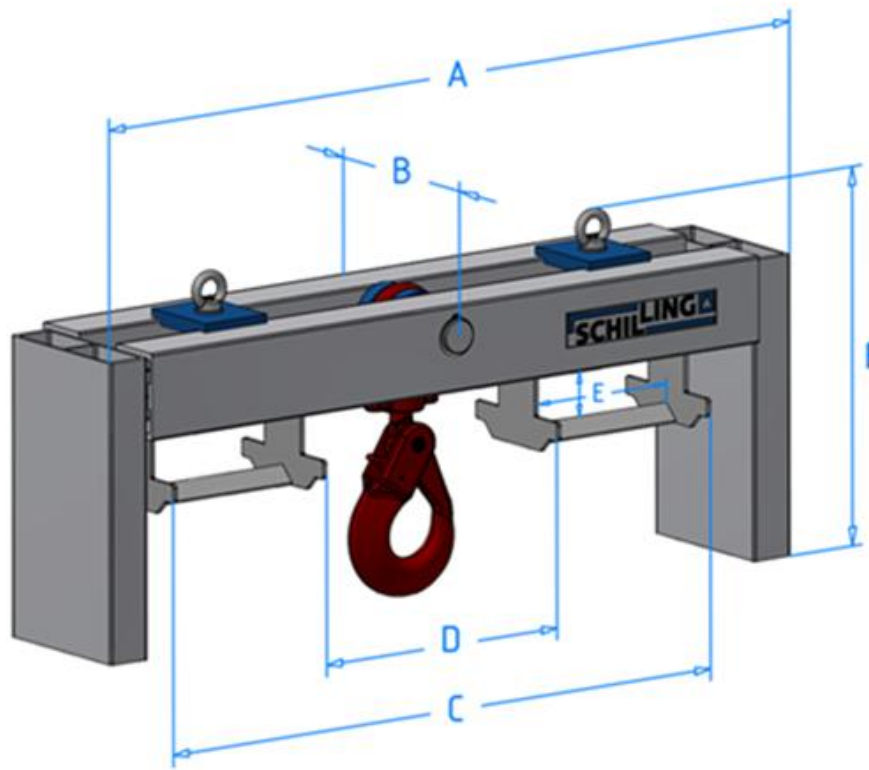


Aluminium Forklift Cross-Beam

Load capacity 1.500 kg, 3.000 kg, 6.300 kg



item no.	load capacity	total width	overall depth	fork outer dimension	fork inner dimension	fork profile	total height	weight
		A	B	C	D	max.	F	
	kg	mm	mm	mm	mm	mm	mm	kg

1.500 kg

51150	1500	1116	260	606 - 973	126 - 493	240 x 114	490	42
-------	------	------	-----	-----------	-----------	-----------	-----	----

3.000 kg

51300	3000	1116	260	606 - 973	126 - 493	240 x 114	490	46
-------	------	------	-----	-----------	-----------	-----------	-----	----

6.300 kg

51630	6300	1116	260	606 - 973	126 - 493	240 x 114	490	50
-------	------	------	-----	-----------	-----------	-----------	-----	----